

PYRA FLASHING LIGHT 10 J PY X-M-10



- Safe – an incorrect installation is virtually impossible.
- Easy – significantly shorter assembly and installation times.
- Economical – largest possible signaling range due to effective Xenon technology.
- Installation options with external lugs or internal holes.
- Choice of 4 different flash rates via DIP switch.
- Suitable for panel mounting.
- Electronic constant current regulation at 24 V DC devices to avoid load fluctuations.
- Integrated inrush current limitation and undervoltage detection (option).
- Providing full synchronisation on multi-flashing light systems.



protection system



impact-proof housing



operating temperature



SSM version



SSM version



warranty



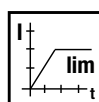
connector (option)

PRODUCT PY X-M-10

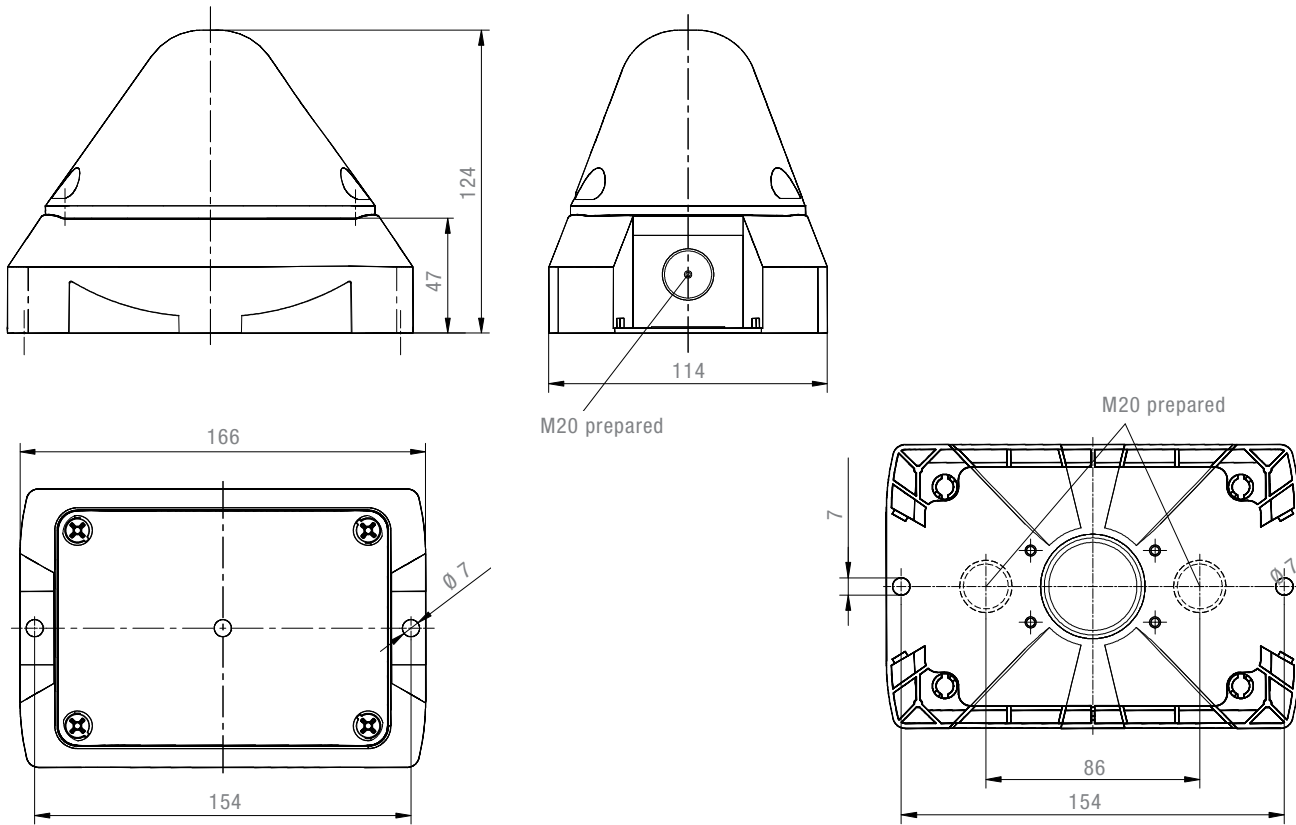
PRODUCT		PY X-M-10		
DATA				
Rated voltage		230 V	115 V	12 / 24 / 48 V DC / 24 V AC
		AC 50 60 Hz	AC 50 60 Hz	DC
Operating range		187–255 V	90–135 V	10–57 V
Nominal current consumption @ 1 Hz		150 mA	240 mA	540 mA @ 24 V
Flash rate		0.1 / 0.5 / 0.75 / 1 Hz (DIP switch)		
Flash energy		10 J		
Light intensity (DIN 5037) ¹		149 cd		
Max. viewing distance		283 m		
Operating temperature		–40 °C ... +55 °C		
Storage temperature		–40 °C ... +70 °C		
Relative humidity		max. 90 %		
Protection system (EN 60529)		IP 66		
Protection class		II		
Duty cycle		100 %		
Service life of the light source		light emission still 70 % after 8,000,000 flashes		
Material	lens	polycarbonate (PC)		
	housing	PC / ABS		
Housing colour		RAL 3000 (flame red) / RAL 7035 (light grey) / RAL 9003 (signal white)		
Cable entry		2x M20 sideways, 2x M20 bottom side		
Integrated seal with cable entry		6–13 mm		
Connecting terminal		2.5 mm ² fine wire, AWG 16		
Weight		440 g		

¹ with a clear lens

OPTIONS/ACCESSORIES



DIMENSIONS



EN 54-23

ARTICLE NO.		PY X-M-10			PY X-M-10 SSM
HOUSING COLOUR	LENS COLOUR	230 V AC	115 V AC	12/24/48 V DC/ 24 V AC	24 V DC
●	/	21551101000	21551151000	21551811000	21551811005
●	●	21551103000	21551153000	21551813000	–
●	●	21551105000	21551155000	21551815000	21551815005
●	/	21551101055	21551151055	21551811055	21551811061
●	●	21551103055	21551153055	21551813055	–
●	●	21551105055	21551155055	21551815055	21551815061

Article numbers for other colours and voltages on request.

CONFORMITY TO STANDARDS

The visual characteristics of flashing lights conform to the European standard DIN EN 842; “**Machine safety – visual alarm signals**”. Requirements contained in the DIN EN 981 standard; “**Machine safety – system of acoustic and visual alarm and information signals**”, can be fulfilled. The colours “red” for the emergency signal and “yellow” for the warning signal conform to the requirements of IEC 73 / DIN EN 60073 / VDE 0199; “**Coding of display devices and control elements using colours and supplementary means**”.

References to visual alarm devices can be found in the following standards:

- EN 60825-1 Radiation safety of laser devices, identical to IEC 825 and DIN-VDE 0837
- DIN EN 54 Fire alarm systems
- DIN 54113-2 Radiation protection regulations for the technical operation of X-ray equipment up to 500 kV