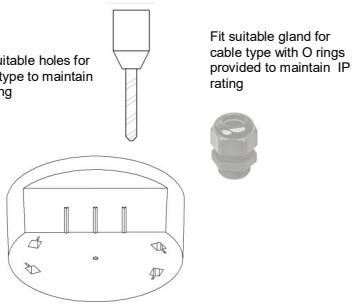


NB100 & ENB100 Installation Instructions and data

1.

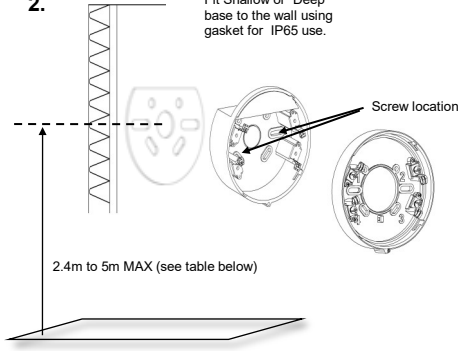
Drill suitable holes for gland type to maintain IP rating



Fit suitable gland for cable type with O rings provided to maintain IP rating

2.

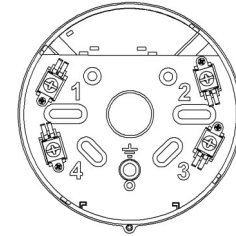
Fit Shallow or Deep base to the wall using gasket for IP65 use.



2.4m to 5m MAX (see table below)

Wiring connections

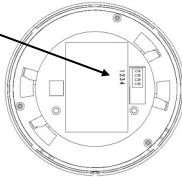
3.



Terminal No.	NB100 & ENB100-HO
1	+ve IN
2	-ve IN / OUT
3	Not used
4	+ve OUT

4.

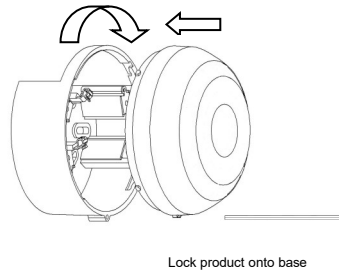
Set operating mode switches



Switch Number	Description	Default settings
1	Flash select	OFF
2	Flash select	ON
3	Flash select	ON
4	No function	N/A

5.

Fit product to base



Maximum mounting height

Switch Number	Function	NB100 VAD EN54-23 mounting height		ENB100-HO VAD EN54-23 mounting height	
		WHITE flash	RED flash	WHITE flash	RED flash
0 0 0	1s Low power	3m	2.4m	2.4m	2.4m
0 0 1	1s High power	5m	2.4m	3.5m	2.4m
0 1 0	2s Low power	3m	2.4m	2.4m	2.4m
0 1 1	2s High power	5m	2.4m	3.5m	2.4m

Maintenance: No regular maintenance required but checking for damage or obstructions is recommended periodically.

Flash selection / Coverage volume




Switch Number	Function	NB100 VAD EN54-23 code / coverage volume		ENB100-HO VAD EN54-23 code / coverage volume	
		WHITE flash	RED flash	WHITE flash	RED flash
0 0 0	1s Low power	W-3-9/243m³	W-2.4-7/117m³	W-2.4-10/240m³	W-2.4-8/153m³
0 0 1	1s High power	W-5-12/720m³	W-2.4-9.5/216m³	W-3.5-13.4/628m³	W-2.4-10/240m³
0 1 0	2s Low power	W-3-9/243m³	W-2.4-7/117m³	W-2.4-10/240m³	W-2.4-8/153m³
0 1 1	2s High power	W-5-12/720m³	W-2.4-9.5/216m³	W-3.5-13.4/628m³	W-2.4-10/240m³

(For additional coverage data see Data sheet DS45-0010 A)

Specification

	Specification	Max rating
Supply voltage	Operating range 18V to 56V DC	56V DC
VAD Current consumption	1s, Low : 20-44mA (30mA @24V)	44mA
	1s High : 32-88mA (60mA @24V)	88mA
	2s Low : 15-24mA (19mA @24V)	24mA
	2s High : 20-45mA (32mA @24V)	45mA
Max Power	NB100	1.9W
	ENB100-HO	1.9W
Protection	Reverse polarity protected	
Monitoring	Reverse polarity and End of line device	
Temperature range	-25 to +70	
Material	V0 ABS / PC	
IP rating	Type A (IP33C) and Type B (IP65)	IP65

NB100 and ENB100-HO range – LED VAD's

D.o.P. Number: 0010
EN54-23: 2010 – Type A & B Fire alarm VAD
For use with Alarm systems including Fire alarm systems Supply Voltage: 18 to 56 V d.c. Alarm Current: 15mA to 90mA (depending on model and settings). Technical Data Sheet: DS45-0010 A