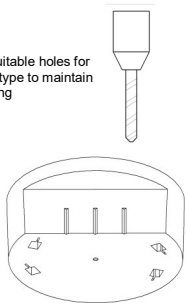


DB1S Installation Instructions and data

1.

Drill suitable holes for gland type to maintain IP rating

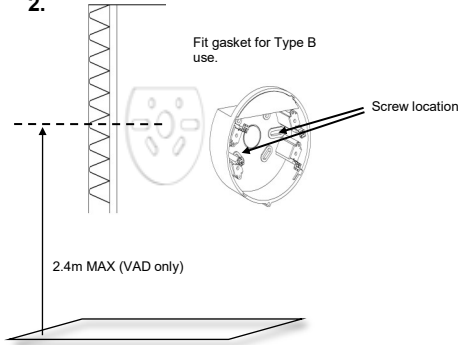


Fit suitable gland for cable type with O rings provided to maintain IP rating



2.

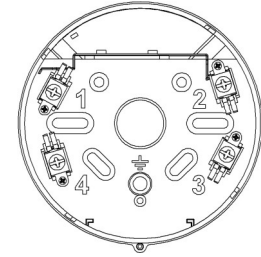
Fit gasket for Type B use.



2.4m MAX (VAD only)

Wiring connections

3.

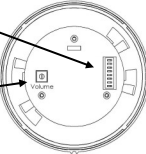


Terminal No.	DB1S
1	Alarm +ve IN / OUT
2	Alarm -ve IN / OUT
3	Pre-alarm -ve IN / OUT
4	Pre-alarm +ve IN / OUT

4.

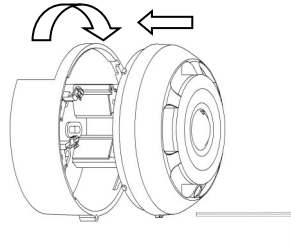
Set operating mode switches

Leave Volume control on MAX volume for EN54 specification.



5.

Fit product to base



Lock product onto base

Switch Number	Description	Default settings DB1S
1	Flash select	OFF
2	Flash select	OFF
3	Flash select	OFF
4	Tone selection	OFF
5	Tone selection	OFF
6	Tone selection	ON
7	Tone selection	OFF
8	Tone selection	ON

Maintenance: No regular maintenance required but checking for damage is recommended periodically.

Flash selection

Switch Number	Function	EN54-23 code / coverage volume	mA @ 24V	mA @ 48V
1 2 3				
0 0 0	1s Low power	W-2.4-5.6/75m ³	18mA	13mA
0 0 1	1s High power	W-2.4-7.6/138m ³	30mA	19mA
0 1 0	2s Low power	W-2.4-5.6/75m ³	12mA	11mA
0 1 1	2 High power	W-2.4-7.6/138m ³	19mA	13mA

Tone selection (For additional SPL and VAD coverage data see Data sheet DS45-0010 A)

Tone Number	Tone description	Switch number 4 5 6 7 8	Typical SPL @ 1m	EN54-3 SPL @24V on axis	2 nd tone
1	800 & 1000Hz, Alternating (250ms – 250ms)	00000	103		21
2	660Hz, Intermittent (1.8s ON – 1.8s OFF)	00001	103		22
3	2400 & 2900Hz, Alternating (250ms – 250ms)	00010	110		22
4	1000Hz Intermittent (0.5s ON, 0.5s OFF X3, 1s OFF) ISO 8201	00011	100		18
5	2400 – 2900Hz Sweep, (7Hz)	00100	110		22
6	660Hz, Intermittent (0.5s ON – 0.5s OFF)	00101	103	103	None
7	1000Hz Intermittent (0.25s ON, 1s OFF)	00110	100		21
8	800 - 1000Hz, Sweep, (1Hz)	01000	103	103	21
9	660Hz, Continuous	01001	103		9
10	800 & 1000Hz, Alternating (0.5s – 0.5s)	01010	103		21
11	1400 – 2000Hz, Sweep (10Hz)	01011	102		11
12	500 -1200Hz, Sweep, (3.5s ON -0.5s OFF)	01100	103	103	21
13	800 - 1000Hz, Buzz (Sweep at 50Hz)	01101	100		21
14	440Hz (100ms) and 554Hz (400ms), Alternating	01110	103		21
15	800 – 1000Hz, Fast Sweep, (7Hz)	10000	103		21
16	660Hz, Intermittent (6.5s ON – 13s OFF)	10001	103		16
17	1000Hz, Intermittent (1s ON – 1s OFF)	10010	100		21
18	2900Hz Intermittent (0.5s ON, 0.5s OFF X3, 1s OFF) ISO 8201	10011	106	4	
19	2400 – 2900Hz, Sweep, (1Hz)	10100	108		22
20	2900Hz Intermittent (150ms ON, 100ms OFF)	10101	104		21
21	1000Hz, Continuous	10110	100		21
22	2900Hz, Continuous	11000	105		21
23	NO SOUND OUTPUT – MUTE OPTION	11001	0		1
24	2900Hz, Intermittent (1s ON – 1s OFF)	11010	105		22
25	800 & 1000Hz, Alternating (0.5s – 0.5s)	11011	103		22
26	1200 – 500Hz, Sweep, (1Hz), DIN tone	11100	103		21
27	2400 – 2900Hz, Buzz (Sweep at 50Hz)	11101	108		22
28	660Hz, Intermittent (150ms ON – 150ms OFF)	11110	103		28
29	990 - 660Hz, Alternating (0.5s - 0.5s)	00111	101		6
30	910 - 685Hz, Alternating (250ms - 250ms)	01111	100		6
31	750 - 1000Hz, Alternating (0.5s - 0.5s)	10111	98		17
32	925 - 628Hz, Alternating (250ms - 250ms)	11111	100		6

SPECIFICATION

	Specification	Max rating/ peak
Supply voltage	Nominal range 18V to 56V DC (12 to 18V reduced output)	56V DC
VAD Current consumption	1s, Low : 13-18mA (15mA @24V)	18mA
	1s High : 18-30mA (22mA @24V)	30mA
	2s Low : 9-12mA (10mA @24V)	12mA
	2s High : 12-19mA (15mA @24V)	19mA
Sounder Current consumption	Average 14mA : 8mA to 30mA depending on tone	25mA @24Vdc
Max Power	NSDF100 (1.2W@24Vdc typical)	2.4W
Protection	Reverse polarity protected on Alarm and Pre-alarm channels	
Monitoring	Use reverse polarity and End of line device	
Temperature range	-25 to +70	
Material	V0 ABS / PC	
Category / IP rating	Type B (IP65)	IP65

DB1S – Combined Fire alarm VAD and Sounder



D.o.P. Number: 0010

EN54-3: 2011 - Type A & B Fire alarm Sounder

EN54-23: 2010 – Type A & B Fire alarm VAD

For use with Alarm systems including Fire alarm systems

Supply Voltage: 18 to 56 V d.c.

Alarm Current: 8mA to 60mA (depending on model and settings).

Technical Data Sheet: DS45-0010 A