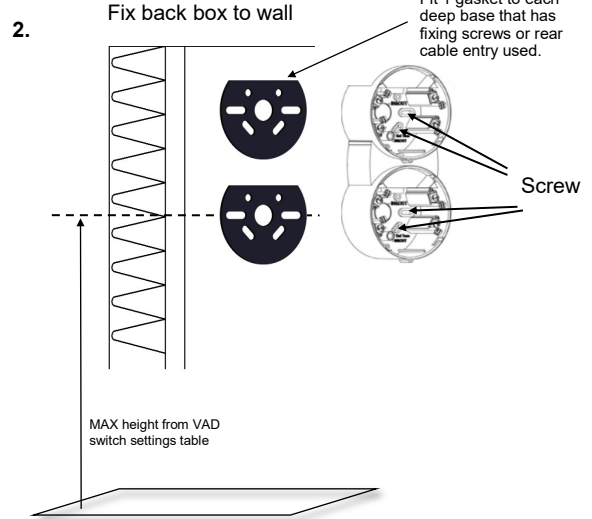
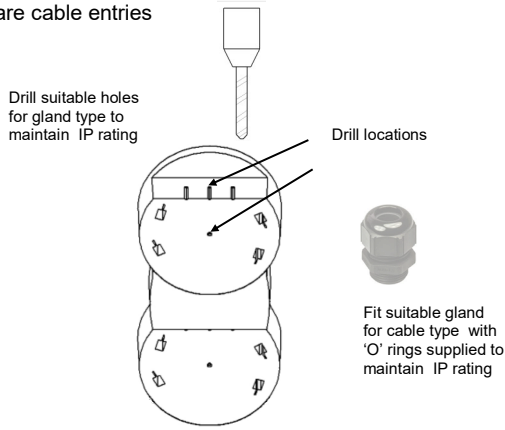
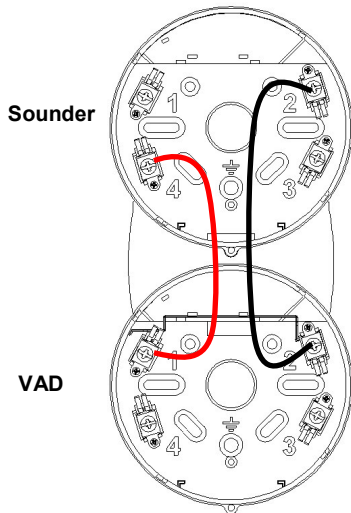


NSB100*-* Installation instructions and Data

1. Prepare cable entries

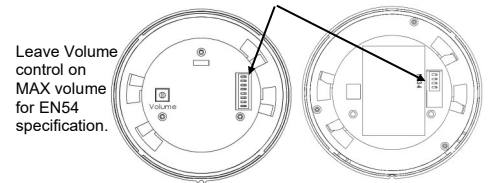


3. Wiring connections



Terminal	NSB100*-*
Sounder 1	+ve IN
Sounder 2	-ve IN / OUT
Sounder 3	2nd Tone -ve IN/OUT
Sounder 4	
VAD 1	
VAD 2	
VAD 3	
VAD 4	+ve OUT

4. Set operating mode switches

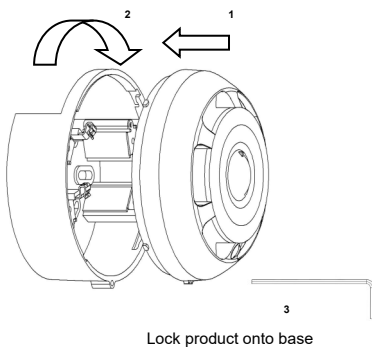


DEFAULT SWITCH SETTINGS

Switch position (on label)	Description	Default VAD settings	Default settings Sounder
1	Flash select 1	OFF	
2	Flash select 2	OFF	
3	Flash select 3	OFF	
4	Tone selection 1		OFF
5	Tone selection 2		OFF
6	Tone selection 3		ON
7	Tone selection 4		OFF
8	Tone selection 5		ON

Note: Sounder tone settings are pre-set for Swedish Fire Alarm tone. To change these refer to the Sounder switch settings.

5. Fit products to base



VAD SWITCH SETTINGS

Switch Number	Function	NSB100 VAD EN54-23 code / coverage volume	
		WHITE flash	RED flash
0 0 0	1s Low power	W-3-8/192m³	W-2.4-7/117m³
0 0 1	1s High power	W-5-12/720m³	W-2.4-9.5/216m³
0 1 0	2s Low power	W-3-8/192m³	W-2.4-7/117m³
0 1 1	2s High power	W-5-12/720m³	W-2.4-9.5/216m³

SOUNDER SWITCH SETTINGS

Tone Number	Tone description	Switch position	Typical SPL @ 1m	EN54-3 SPL @24V on axis	2 nd tone
		4 5 6 7 8			
1	800 & 1000Hz, Alternating (250ms – 250ms)	00000	103		21
2	660Hz, Intermittent (1.8s ON – 1.8s OFF)	00001	103		2
3	2400 & 2900Hz, Alternating (250ms – 250ms)	00010	110		22
4	1000Hz Intermittent (0.5s ON, 0.5s OFF X3, 1s OFF) ISO 8201	00011	100		18
5	2400 – 2900Hz Sweep, (7Hz)	00100	110		22
6	660Hz, Intermittent (0.5s ON – 0.5s OFF)	00101	103	103	None
7	1000Hz Intermittent (0.25s ON, 1s OFF)	00110	100		21
8	800 – 1000Hz, Sweep, (1Hz)	01000	103	103	21
9	660Hz, Continuous	01001	103		9
10	800 & 1000Hz, Alternating (0.5s – 0.5s)	01010	103	101	21
11	1400 – 2000Hz, Sweep (10Hz)	01011	102		11
12	500 -1200Hz, Sweep, (3.5s ON -0.5s OFF)	01100	103	103	21
13	800 - 1000Hz, Buzz (Sweep at 50Hz)	01101	100		21
14	440Hz (400ms) and 554Hz (100ms), French tone NF32-001	01110	103	99	21
15	800 – 1000Hz, Fast Sweep, (7Hz)	10000	103		21
16	660Hz, Intermittent (6.5s ON – 13s OFF)	10001	103		16
17	1000Hz, Intermittent (1s ON – 1s OFF)	10010	100		21
18	2900Hz Intermittent (0.5s ON, 0.5s OFF X3, 1s OFF) ISO 8201	10011	106		4
19	2400 – 2900Hz, Sweep, (1Hz)	10100	108		22
20	2900Hz Intermittent (150ms ON, 100ms OFF)	10101	104		21
21	1000Hz, Continuous	10110	100		21
22	2900Hz, Continuous	11000	105		21
23	NO SOUND OUTPUT – MUTE OPTION	11001	0		1
24	2900Hz, Intermittent (1s ON – 1s OFF)	11010	105		22
25	800 & 1000Hz, Alternating (0.5s – 0.5s)	11011	103		22
26	1200 - 500Hz, Sweep, (1Hz), DIN tone	11100	103	103	21
27	2400 – 2900Hz, Buzz (Sweep at 50Hz)	11101	108		22
28	660Hz, Intermittent (150ms ON – 150ms OFF)	11110	103		28
29	990 - 660Hz, Alternating (0.5s - 0.5s)	00111	101		6
30	910 - 685Hz, Alternating (250ms - 250ms)	01111	100		6
31	750 - 1000Hz, Alternating (0.5s - 0.5s)	10111	98		17
32	925 - 628Hz, Alternating (250ms - 250ms)	11111	100		6

DEFAULT SETTING SPECIFICATION

	Specification	Max rating
Supply voltage	Operating range 18V to 56V DC	56V DC
VAD Current consumption	1s Low power 20—44mA (30mA @ 24V)	44mA
Sounder Current consumption	Average 13—18mA on Tone 6 (15mA @ 24V)	25mA
Power	NSB100*.*	2.2W

GENERAL SPECIFICATION

	Specification	Max rating
Supply voltage	Operating range 18V to 56V DC	56V DC
VAD Current consumption	1s, Low : 20-44mA (30mA @24V)	44mA
	1s High : 32-88mA (60mA @24V)	88mA
	2s Low : 15-24mA (19mA @24V)	24mA
	2s High : 20-45mA (32mA @24V)	45mA
Sounder Current consumption	Average 14mA (8mA to 30mA depending on tone)	25mA @24Vdc
Protection	Reverse polarity protected on Alarm and Pre-alarm channels	
Monitoring	Use reverse polarity and End of line device	
Temperature range	-25 to +70	
Material	V0 ABS / PC	
IP rating	Type B (IP65)	IP65

NSB100*.* – LED VADs and Sounders



0359



D.o.P. Number: 0010

EN54-3: 2011 - Type A & B Siren

EN54-23: 2010 – Type A & B VAD

For use with Alarm systems including Fire alarm systems

Supply Voltage: 18 to 56 V d.c.

Quiescent Current:

Alarm Current: 32mA to 118mA (depending on model and settings).

Technical Data Sheet:: DS45-0010

Manufactured by Fircroft Technologies