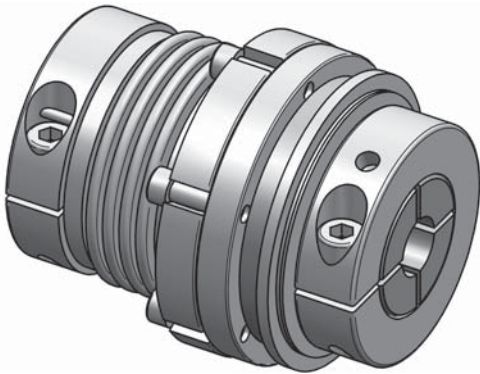


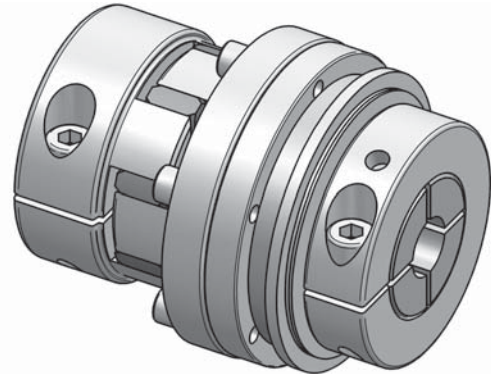
Safety couplings I for direct drives

- ✓ optimum overload and crash protection for direct drives
- ✓ with coupling attachment - system construction cit with numerous variants
- ✓ simple installation, frictional shaft - hub connection
- ✓ kompakt design ✓ low moment of inertia

Series SKB - KP / SKY - KS
with bellow attachment



Series SKB - EK / SKY - ES
with elastomer attachment



The Safety couplings series SKB-K and SKB-E are a combination since decades approved and optimized JAKOB-disengagement mechanic with a coupling element for balancing from misalignment between drive- und output shaft. From a large program can diverse types with metal bellow- or elastomer couplings be selected. During the specific main feature from metal bellows are very high torsional stiffness and low restoring forces, are the elastomer couplings by robustness, excellent oscillation dampening and the plug in fitting characterized.

Based on the screw fitting between coupling element and safety part is at case of damage or at change of technical operating parameters a exchange of the coupling attachment everytime possible.

Following Safty Couplings series for direct drives are available:

- Series SKB-KP -> with 4- corrugation metal bellow / bellowside with easy to fit radial clamping hub
- Series SKY-KS -> with 4- corrugation bellow / bellowside with conical bushing for small shaft diameters
- Series SKB-EK -> with elastomer spider - 98 ShoreA / couplingside with plug in, radial clamping hub
- Series SKY-ES -> with elastomer spider - 98 ShoreA / couplingside with plug in, conical hub

Note: Safety couplings Series SKB with clamping hub - Series SKY with conical bush.

