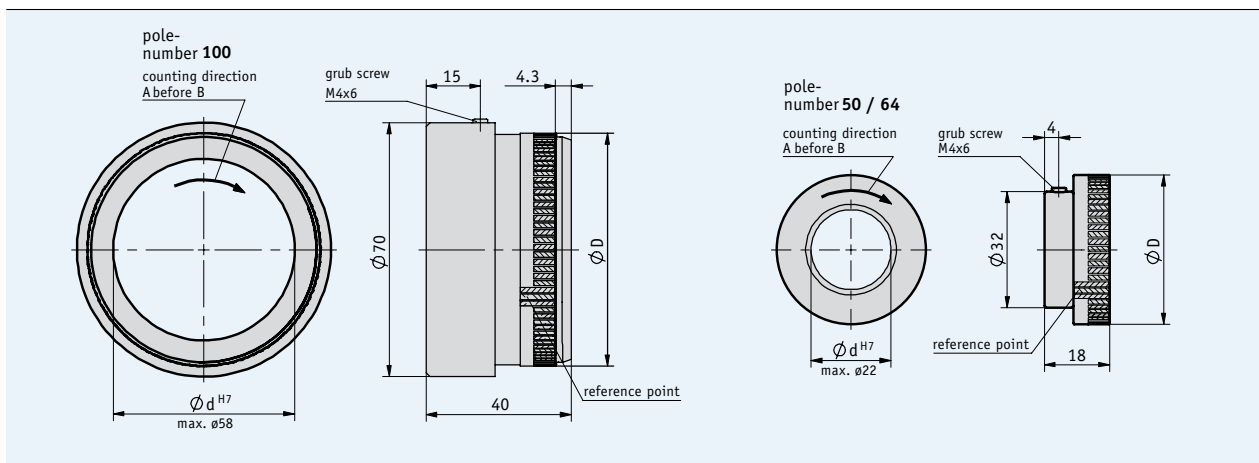


Magnetic Ring MR200

Incrementally coded ring with permanently connected flange, pole length 2 mm

Profile

- Easy hollow-shaft mounting
- Rotary encoder system with IP67 protection category (in combination with MSK210)
- Up to 2000 pulses/revolution
- With reference point as an option



Mechanical data

Feature	Technical data	Additional information
Pole length	2 mm	
Measurement range	360°	
System accuracy	±0.1°	
Operating temperature	0 ... +60 °C, with number of poles 50, 60 -20 ... +70 °C, with number of poles 100	others on request others on request
Storage temperature	-20 ... +70 °C	others on request
Protection category	IP67 according to DIN VDE 0470	
Humidity	100 % rh	condensation permitted
Flange material	aluminum	

■ Dimensions

Poles	50	64	100
Diameter D (mm)	32.3	41.2	64.14
Circumference (mm)	100	130	200
Max. Speed n (rpm)	15000	11500	7500

■ Pulses/revolution

		Number of poles 50	Number of poles 64	Number of poles 100
Scaling factor	20	1000	1280	2000
Sensor	16	800	1024	1600
	10	500	640	1000
	8	400	512	800
	5	250	320	500
	4	200	256	400
	1	50	64	100

The table applies to the combination of MR200 with MSK210

Order

Order table

Feature	Order data	Specifications	Additional information
Number of poles	50	A poles distributed on circumference	hard ferrite
	64		hard ferrite
	100	others on request	flexible magnetic band
Bore diameter	20	B 20 H7	
		others on request	
Fastening type	MNG	C hub thread	
	ONG		without hub thread
Reference point	O	D without	
	M		with

Order code

MR200 - - - -
A B C D

Scope of delivery: MR200, User information

Additional information:

Short Description, Technical Details
 Product Overview

Page 140 cont.
 Page 4 cont.