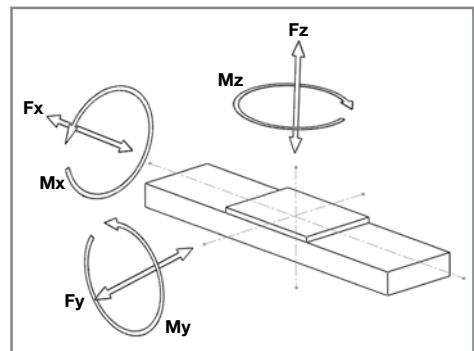


Maximum Length without joints: up to 4.000 mm  
 Mounting position: as required  
 For other code descriptions please see the "order code" chapter 5

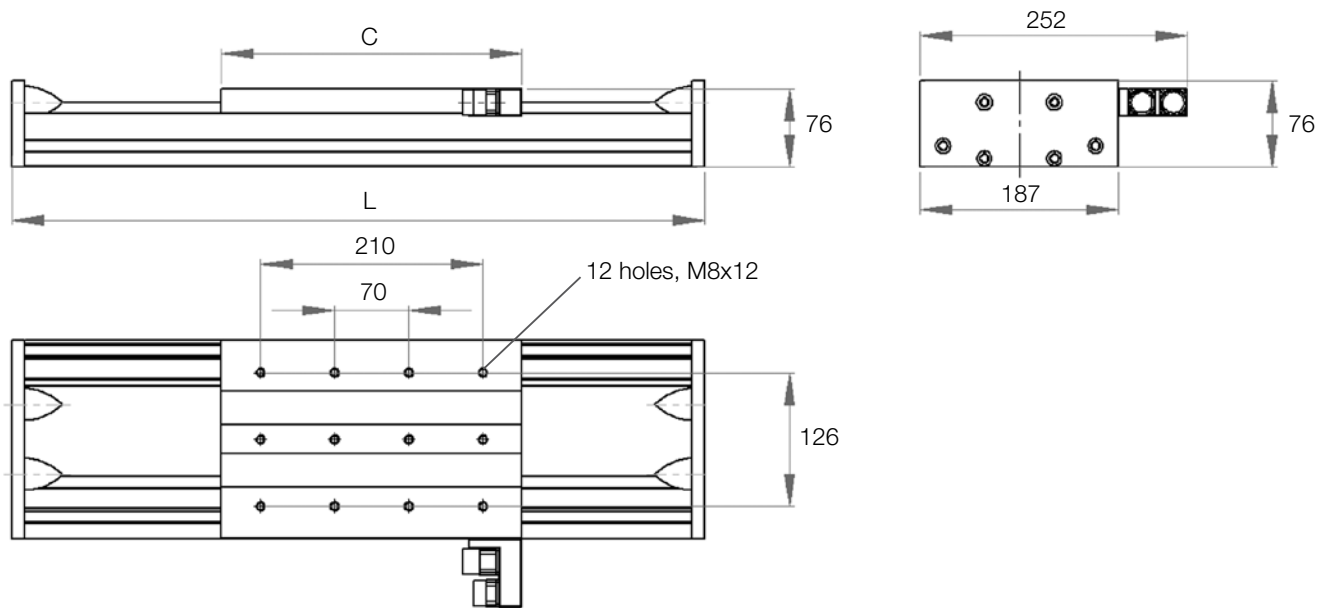


## Mechanical specifications

		MLE 50400		MLE 50800		MLE 51000		MLE 51200		MLE 51600	
		S	R	S	R	S	R	S	R	S	R
<b>Linear motor features</b>											
Maximum speed at 560Vdc	m/s					5					
Continuous force aircooled $F_x$ <sup>1)</sup>	N	200		400		500		600		800	
Peak force $F_{xp}$	N	400		800		1000		1200		1600	
Nominal current	A	2,5		5,0		5,0		7,5		10,0	
Peak current	A	5,0		10,0		10,0		15,0		20,0	
<b>Guidance features</b>											
$F_y$	N	3000	3000	3000	3000	3000	4500	4500	4500	4500	4500
$F_z$	N	2000	2000	2000	2000	2000	3000	3000	3000	3000	3000
$M_x$	Nm	450	450	450	450	450	750	750	750	750	750
$M_y$	Nm	600	700	700	750	750	1000	1000	1500	1500	2000
$M_z$	Nm	600	700	700	750	750	1000	1000	1500	1500	2000
<b>Structure profile features</b>											
Geometrical moments of inertia $L_x$	mm <sup>4</sup>					5,6x10 <sup>5</sup>					
Geometrical moments of inertia $L_y$	mm <sup>4</sup>					144,63x10 <sup>5</sup>					
Elastic module	N/mm <sup>2</sup>					70000					
<b>Weight</b>											
Weight of base	kg	5	5,7	6,0	6,3	6,9	7,3	7,9	10	14	16
Weight of 100 mm	kg					1,9					

<sup>1)</sup> depending on application, cooling surface, air speed, and temperature

**Dimensions MLE 5**



Drawing only for reference, corresponds to the MLE 50800. Please ask for ready 3D files.

**Choice of stroke**

Stroke / Length		MLE 50400		MLE 50800		MLE 51000		MLE 51200		MLE 51600	
		S	R	S	R	S	R	S	R	S	R
L, mm	Code										
462	00462	116	84	84	34	34	-	-	-	-	-
558	00558	212	180	180	130	130	88	88	-	-	-
654	00654	308	276	276	226	226	184	184	52	52	-
750	00750	404	372	372	322	322	280	280	148	148	86
848	00848	500	468	468	418	418	376	376	244	244	182
942	00942	596	564	564	514	514	472	472	340	340	278
1038	01038	692	660	660	610	610	568	568	436	436	374
1134	01134	788	756	756	706	706	664	664	532	532	470
1230	01230	884	852	852	802	802	760	760	628	628	566
1326	01326	980	948	948	898	898	856	856	724	724	662
1422	01422	1076	1044	1044	994	994	952	952	820	820	758
1518	01518	1172	1140	1140	1090	1090	1048	1048	916	916	854
1614	01614	1268	1236	1236	1186	1186	1144	1144	1012	1012	950
1710	01710	1364	1332	1332	1282	1282	1240	1240	1108	1108	1046
1806	01806	1460	1428	1428	1378	1378	1336	1336	1204	1204	1142
1902	01902	1556	1524	1524	1474	1474	1432	1432	1300	1300	1238
1998	01998	1652	1620	1620	1570	1570	1528	1528	1396	1396	1334
2094	02094	1748	1716	1716	1666	1666	1624	1624	1492	1492	1430
2382	02382	2036	2004	2004	1954	1954	1912	1912	1780	1780	1718
2670	02670	2324	2292	2292	2242	2242	2200	2200	2068	2068	2006
2958	02958	2612	2580	2580	2530	2530	2488	2488	2356	2356	2294
3246	03246	2900	2868	2868	2818	2818	2776	2776	2644	2644	2582
3534	03534	3188	3156	3156	3106	3106	3064	3064	2932	2932	2870
3822	03822	3476	3444	3444	3394	3394	3352	3352	3220	3220	3158
<b>Carriage C, mm</b>		252	284	284	334	334	376	376	508	508	570