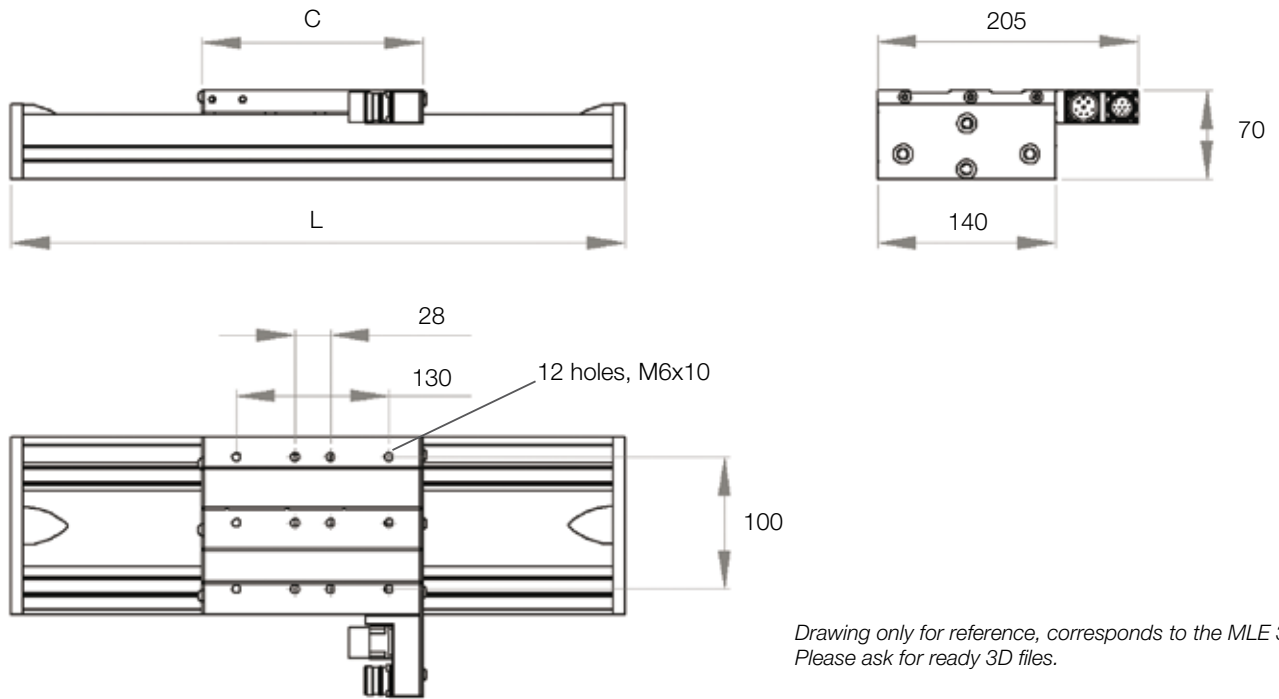


Maximum Length without joints: up to 4.000 mm  
 Mounting position: as required  
 For other code descriptions please see the "order code" chapter 5

### Mechanical specifications

	MLE 30105		MLE 30210		MLE 30420	
	HS	HR	HS	HR	HS	HR
<b>Linear motor features</b>						
Maximum speed at 560Vdc	m/s		5			
Continuous force aircooled $F_x$ <sup>1)</sup>	N	55	105	210		
Peak force $F_{xp}$	N	105	210	420		
Nominal current	A	1,6	3,1	6,0		
Peak current	A	3,0	6,0	12,0		
<b>Guidance features</b>						
$F_y$	N	1500	1500	1500	1500	1500
$F_z$	N	1000	1000	1000	1000	1000
$M_x$	Nm	180	180	180	180	180
$M_y$	Nm	200	280	280	320	400
$M_z$	Nm	200	280	280	320	400
<b>Structure profile features</b>						
Geometrical moments of inertia $L_x$	mm <sup>4</sup>	3,72x10 <sup>5</sup>				
Geometrical moments of inertia $L_y$	mm <sup>4</sup>	55,58x10 <sup>5</sup>				
Elastic module	N/mm <sup>2</sup>	70000				
<b>Weight</b>						
Weight of base	kg	2,6	2,8	3,2	3,6	4
Weight of 100 mm	kg	1,5				

<sup>1)</sup> depending on application, cooling surface, air speed, and temperature



Drawing only for reference, corresponds to the MLE 30210.  
Please ask for ready 3D files.

**Choice of stroke**

Stroke / Length		MLE 30105		MLE 30210		MLE 30420	
		S	R	S	R	S	R
L, mm	Code						
368	00368	148	104	104	-	-	-
464	00464	244	200	200	102	102	24
560	00560	340	296	296	198	198	120
608	00608	388	344	344	246	246	168
656	00656	436	392	392	294	294	216
704	00704	484	440	440	342	342	264
752	00752	532	488	488	390	390	312
800	00800	580	536	536	438	438	360
848	00848	628	584	584	486	486	408
944	00944	724	680	680	582	582	504
992	00992	772	728	728	630	630	552
1040	01040	820	776	776	678	678	600
1088	01088	868	824	824	726	726	648
1136	01136	916	872	872	774	774	696
1184	01184	964	920	920	822	822	744
1232	01232	1012	968	968	870	870	792
1328	01328	1108	1064	1064	966	966	888
1376	01376	1156	1112	1112	1014	1014	936
1424	01424	1204	1160	1160	1062	1062	984
1472	01472	1252	1208	1208	1110	1110	1032
1520	01520	1300	1256	1256	1158	1158	1080
1808	01808	1588	1544	1544	1446	1446	1368
2000	02000	1780	1736	1736	1638	1638	1560
2384	02384	2164	2120	2120	2022	2022	1944
2528	02528	2308	2264	2264	2166	2166	2088
2768	02768	2548	2504	2504	2406	2406	2328
2912	02912	2692	2648	2648	2550	2550	2472
3151	03151	2932	2888	2888	2790	2790	2712
3536	03536	3316	3272	3272	3174	3174	3096
<b>Carriage C, mm</b>		130	174	174	272	272	350