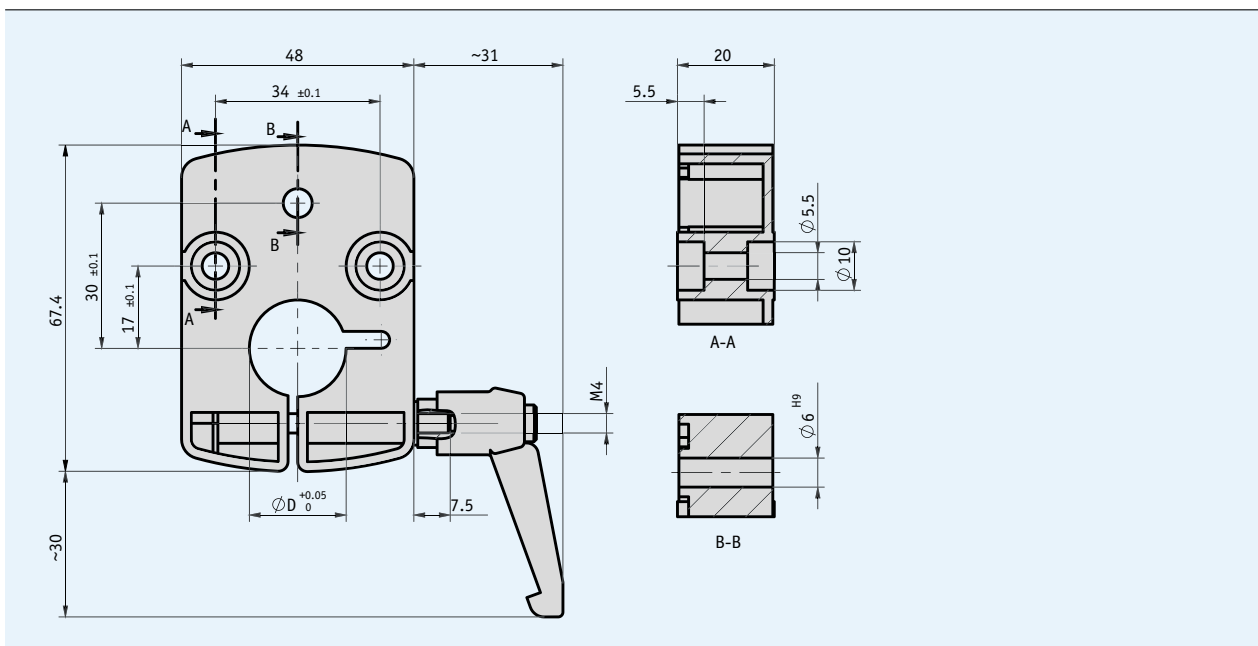


Profile

- Outline appropriate for indicator DA09S
- For shaft diameter 12 ... 20 mm
- Robust zinc die-casting version
- Easy mounting and retrofitting



Mechanical data

Feature	Technical data	Additional information
Housing	zinc die-casting	
Clamp lever	plastic, engaging	
Weight	~0.15 kg	

Order

Order table

Feature	Order text	Specifications	Additional information
Bore Ø	12	A	
	14		
	16		
	20		
Clamp lever	KH	B	with
	OKH		without

Order Code

KPL09 - -

Scope of delivery: KPL09