
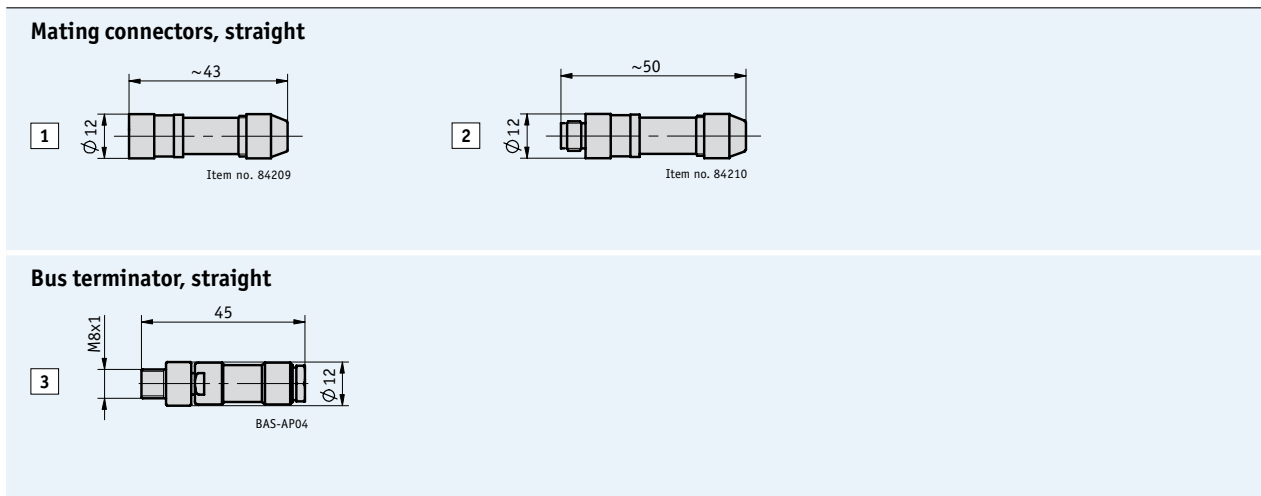


Profile

- Mating connectors, straight
- Bus terminator, straight

 When screwed, the distance to the device will increase by approx. 3 mm.



1.5

Order

	Fig.	PIN	CableØ	Order data
Mating connectors, straight				
M8 bush	1	4	3,5 ... 5	84209
M8 connector	2	4	3,5 ... 5	84210
Bus terminator, straight				
M8 connector	3	4		BAS-0005

Order code

Scope of delivery: Connector as per order (see above)

Subject to technical alterations 10/2008