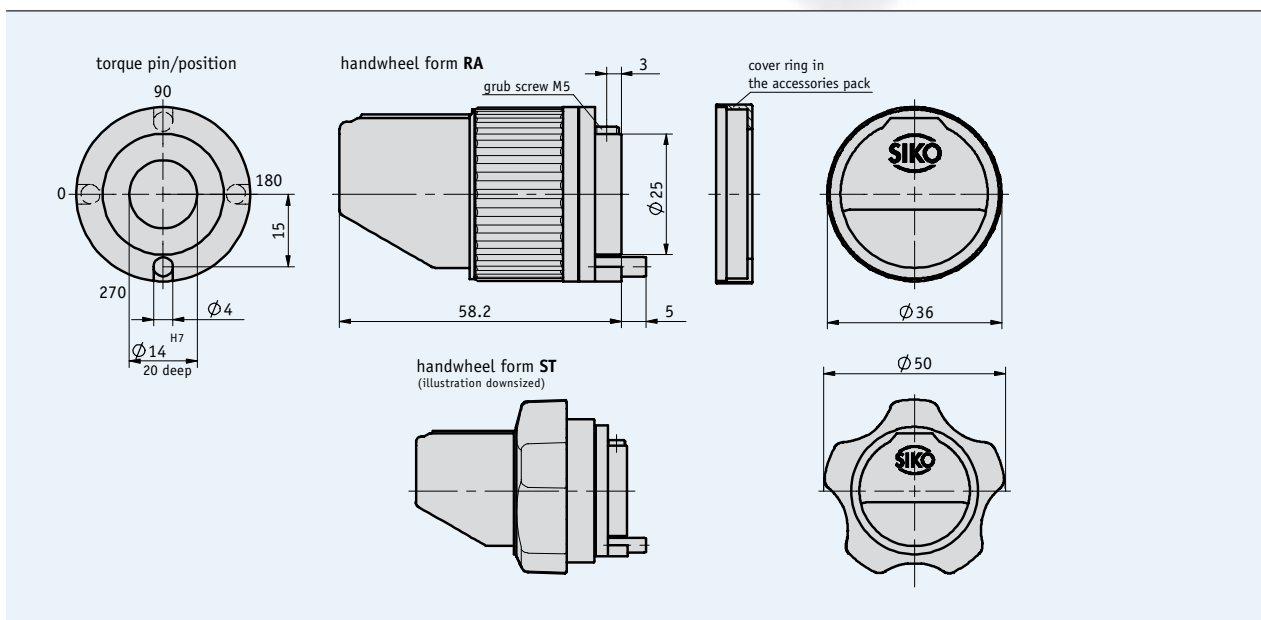


Profile

- Control knob with integrated position indicator
- Shaft accommodation: max. \varnothing 14 mm
- Counter with 4 decades and fine reading
- Various display values
- Star wheel as an option

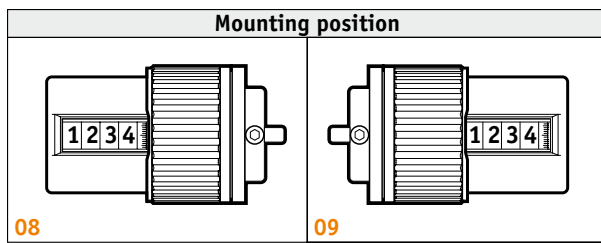


Mechanical data

Feature	Technical data	Additional information
Counter	4 decades, fine reading	
Digit height	approx. 6 mm	
Ambient temperature	max. 80 °C	
Weight	0.06 kg	
Housing	plastic	
Window	plastic	optional mineral glass

Order

■ **Design**



Note: Characters highlighted in orange are order features

■ **Order table**

Feature	Order text	Additional information
Design	... A 08, 09	see the icons illustrating the mounting position
Indication after 1 st revolution	... B 12/5, 15, 17/5, 20, 25, 30, 40, 50, 100 others on request	/5 = arithmetical value not displayed
Decimal place	0	0 = 0000
	1	1 = 000.0
	2	2 = 00.00
	3	3 = 0.000
Counting direction = ascending values	i	clockwise
	e	counter-clockwise
Hollow shaft/diameter (mm)	14	∅ 14 mm
	... E	RH8, RH10, RH12
		others on request
Torque support/position	270	see the drawing
	0	see the drawing
	90	see the drawing
	180	see the drawing
Handwheel design	RA	knurled handle
	ST	star wheel
Sealing ring	0	without sealing ring
	M	sealing ring provided with the accessories pack

■ **Order code**

DK02 - - - - - - - - - FR - K -

A
B
C
D
E
F
G
H

Scope of delivery: DK02

Accessories:
Reducing bushes

Page 108

Additional information:
General information and areas of application

Page 46 cont.