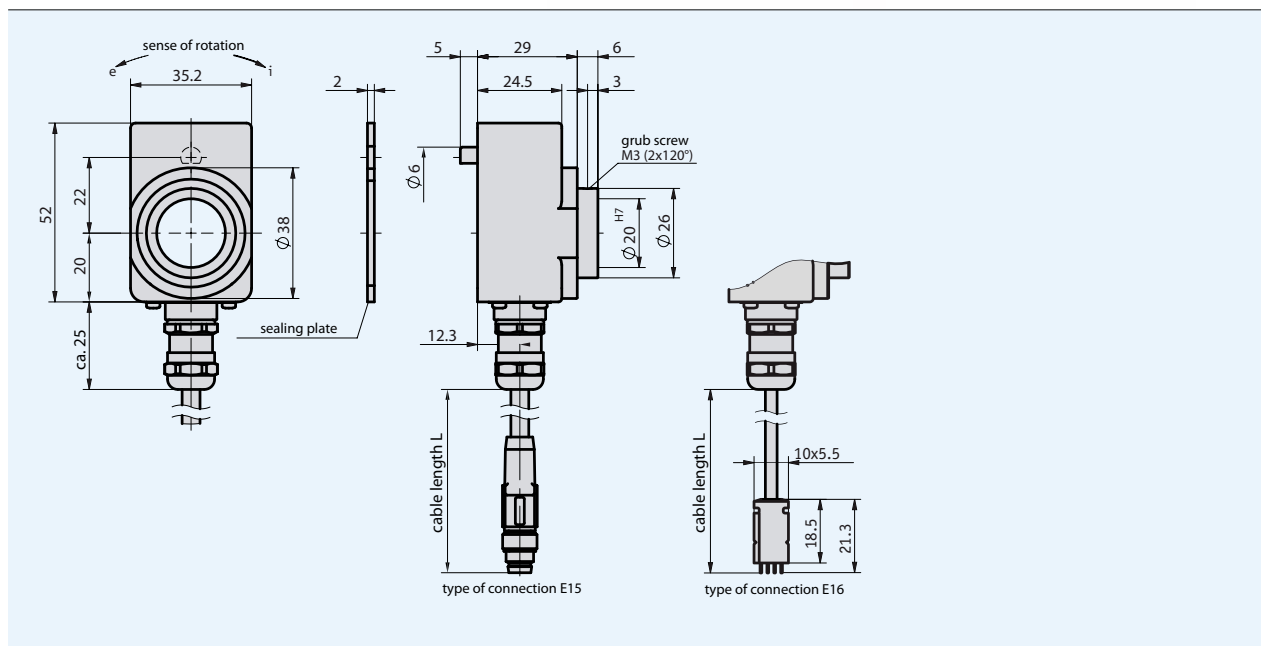


Profile

- Rotary sensor with magnetic sensing technology
- Plug connection to position indicator AP04S
- Easy hollow shaft mounting, max. \varnothing 20 mm
- Protection category IP65



Mechanical data

Feature	Technical data	Additional information
Speed max.	$\leq 600 \text{ min}^{-1}$	
Housing	plastic	
Hollow shaft	stainless steel	
Housing color	black, RAL 9005	
Sensor cable E15	PUR	
Bending radius E15	$> 52 \text{ mm}$	
Sensor cable E16	PVC	
Bending radius E16	$> 17 \text{ mm}$	
Operating temperature	$0 \text{ }^\circ\text{C} \dots +60 \text{ }^\circ\text{C}$	
Storage temperature	$-20 \text{ }^\circ\text{C} \dots +70 \text{ }^\circ\text{C}$	
Humidity	condensation inadmissible	
Scanning	magnetically	magnet wheel with 18 poles a 5 mm
Protection category	IP65	

Electrical data

Feature	Technical data	Additional information
Operating voltage	feed via downstream electronics unit	
Type of connection E15	M8 connector	6-pin, 1x connector
Type of connection E16	connector	8-pin, 1x connector
Resolution	depends on downstream electronics unit	
Measuring range	depends on downstream electronics unit	

Order

Order table

Feature	Order text	Specification	Additional information
Hollow shaft/diameter (mm)	20	∅ 20 mm	
	RH14	reduction sleeve	
		others on request	
Type of connection	E15	M8 connector	
	E16	connector	
Cable length L	...	0.5 ... 2.0 m, in steps of 0.5 mm	

Order code

GS04 - - -
A B C